



- SMT - on ceramic technology
- Metal case 65x39x20mm
- 100% burn-in & parameter test
- Assembling according to ANSI/IPC-A-610
- Laser trimmed thick film resistors
- High efficiency up to 94%
- Short circuit proof
- Extended temperature range: -40°C to +85°C
- EMC/EMV compliant according EN55022-B
- Integrated pi Input filter
- RoHS compliant
- UL94V-0 compliant

Examples of Part Number				
Model	Input	Output	Efficiency	Optional
EBW150-24-12	14V to 34V	12V / 12,5A	91%	
EBW150-24-12-O	14V to 34V	12V / 12,5A	91%	with On/Off Pin
EBW150-36-18	21V to 51V	18V / 8,33A	93%	
EBW150-36-18-O	21V to 51V	18V / 8,33A	93%	with On/Off Pin
EBW150-110-12	66V to 154V	12V / 12,5A	94%	
EBW150-110-12-O	66V to 154V	12V / 12,5A	94%	with On/Off Pin
EBW150-110-15	66V to 154V	15V / 10A	94%	
EBW150-110-15-O	66V to 154V	15V / 10A	94%	with On/Off Pin
EBW150-110-18	66V to 154V	18V / 8,33A	94%	
EBW150-110-18-O	66V to 154V	18V / 8,33A	94%	with On/Off Pin
EBW150-110-24	66V to 154V	24V / 6,25A	94%	
EBW150-110-24-O	66V to 154V	24V / 6,25A	94%	with On/Off Pin

Part Numbering System				
EBW	150	36	24	O
Seire	Power	Input	Output	Optional
EBW	150:150W	24: 18V to 36V 36: 21V to 51V 110: 66V to 154V	12: 12V 15: 15V 18: 18V 24: 24V XX: custom solution value between 12 and 24	O: With On / Off pin

<b>Input</b>	Nominal input voltage	24V DC	36V DC	110V DC
	Input voltage range	14V to 34V DC	21V to 51V DC	66V to 154V DC
	Low side turn off / on	12V / 13,5V	18V / 20V	58V / 64V
	High side turn off / on	37 / 35V	54V / 53V	165V / 160V
	Max. input voltage	± 80V DC	± 100V DC	± 200V DC
	No load input current	50 mA	50 mA	50 mA
	Nominal input current	6,87 A	4,53 A	1,46 A
	Efficiency	90,6% to 92,6%	91,8% to 93,5%	92,3% to 94,5%

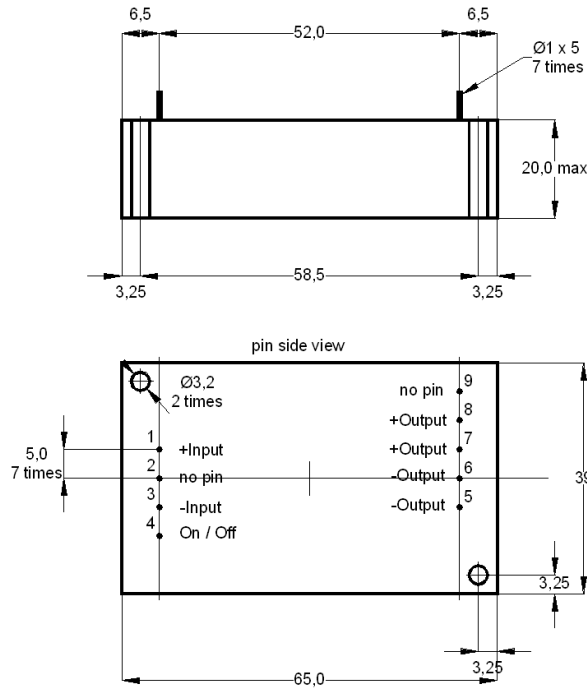
<b>Output</b>	Output voltage	12V	15V	18V	24V
	Output current	12,5A	10A	8,33A	6,25A
	Output voltage accuracy	± 1%			
	Regulation line <sup>3</sup> (Note 2)	± 1%			
	Regulation load (Note 3)	± 2%			
	Ripple (20 MHz)	< 80mVpp	< 100mVpp	< 125mVpp	< 150mVpp

<b>PROTECTION</b>	Short circuit protection	current limiting
	Overload protection	Thermal shutdown @ ca 120°C
	Reverse polarity	See max. input voltage
<b>ISOLATION</b>	Isolation I/O	2500V DC
	Isolation I/ case	1500V DC
	Isolation O/case	1000V DC
<b>Environment (Note 4)</b>	Operating temperature	-40 to +85°C
	Storage temperature	-55 to +125°C
<b>Other</b>	Temperature coefficient	0,02%/°C

**Notes:**

1. Typical specifications at  $T_a = 25^\circ\text{C}$  under normal line voltage and full load conditions, unless otherwise noted; external input and output capacitor required
2.  $U_i$  min to  $U_i$  max
3.  $I_{min} = 0$  to  $I_{max} = 100\%$
4. Case temperature

**Mechanic solution**



Pin 1	+ Input
Pin 2	no pin
Pin 3	- Input
Pin 4	On / Off
Pin 5	- Output
Pin 6	- Output
Pin 7	+ Output
Pin 8	+ Output
Pin 9	no pin

**Application note / Required components**

